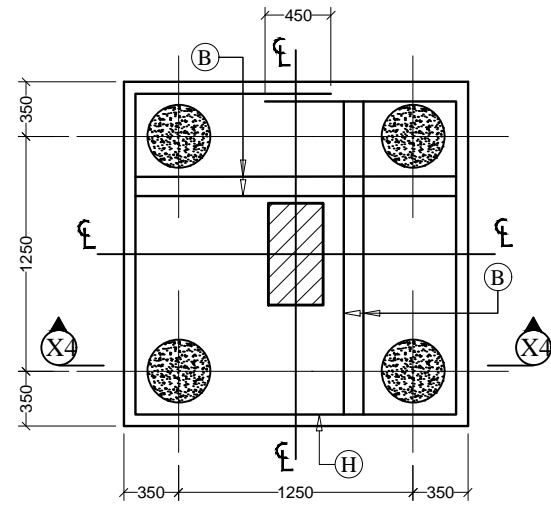
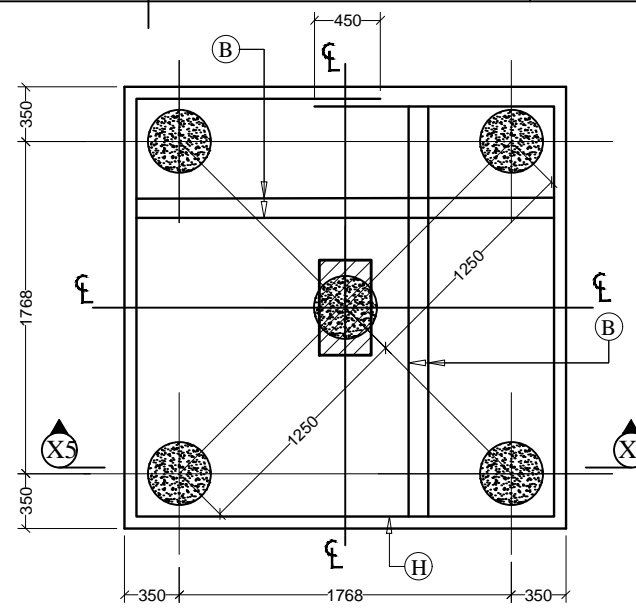


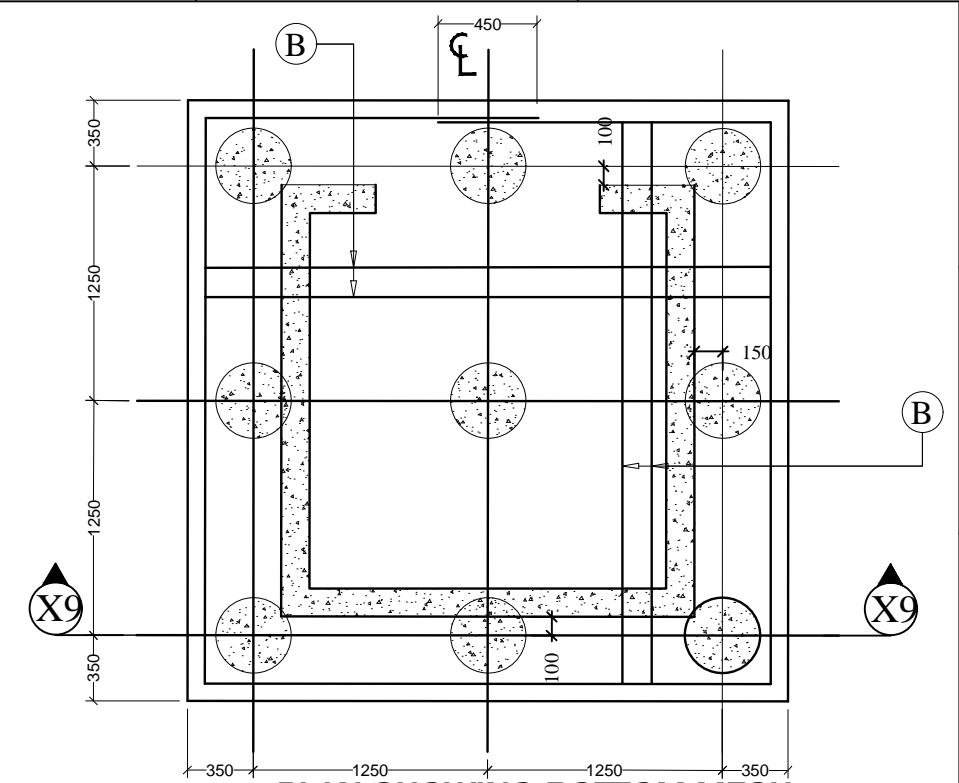
PLAN SHOWING BOTTOM MESH
P.C. - 3 (3 - PILE)
3 - 400 Ø



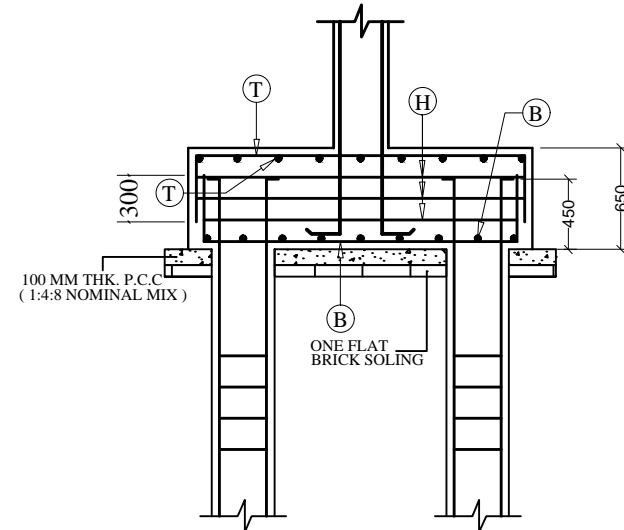
PLAN SHOWING BOTTOM MESH
P.C. - 4 (4 - PILE)
4 - 400 Ø



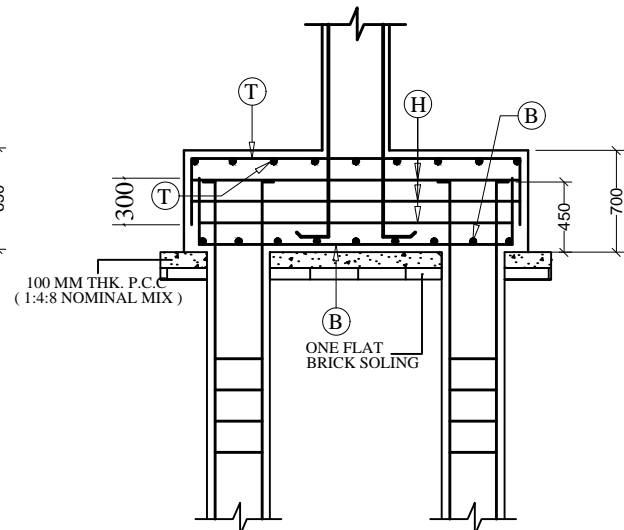
PLAN SHOWING BOTTOM MESH
P.C. - 5 (5 - PILE)
5 - 400 Ø



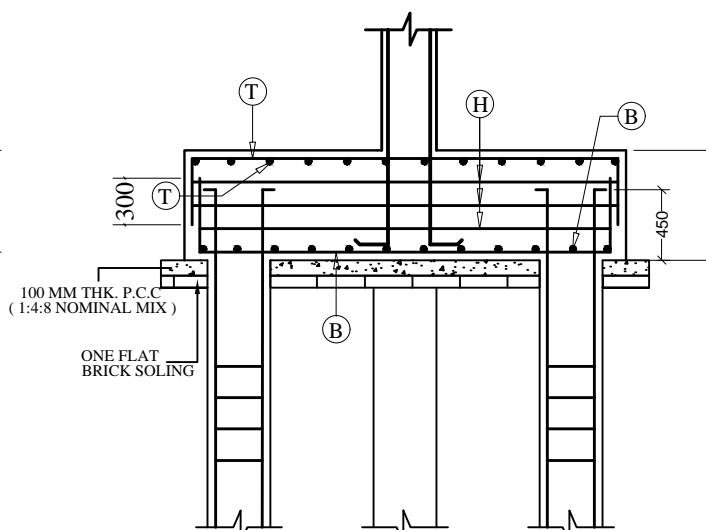
PLAN SHOWING BOTTOM MESH
P.C. - 9 (9 - PILE)
9 - 400 Ø



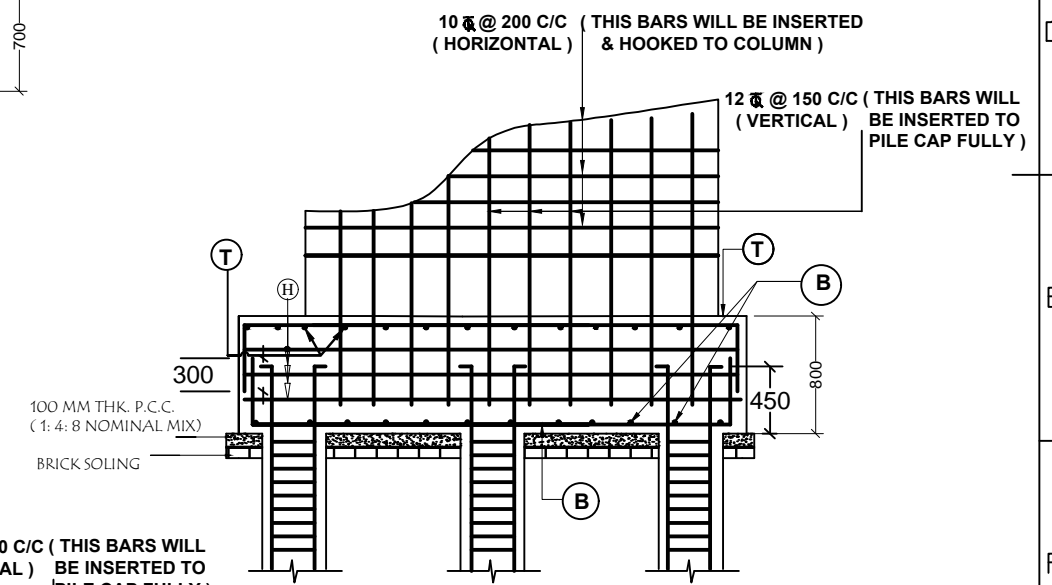
SECTION ' X3 - X3 '
P.C. - 3 (3 - PILE)



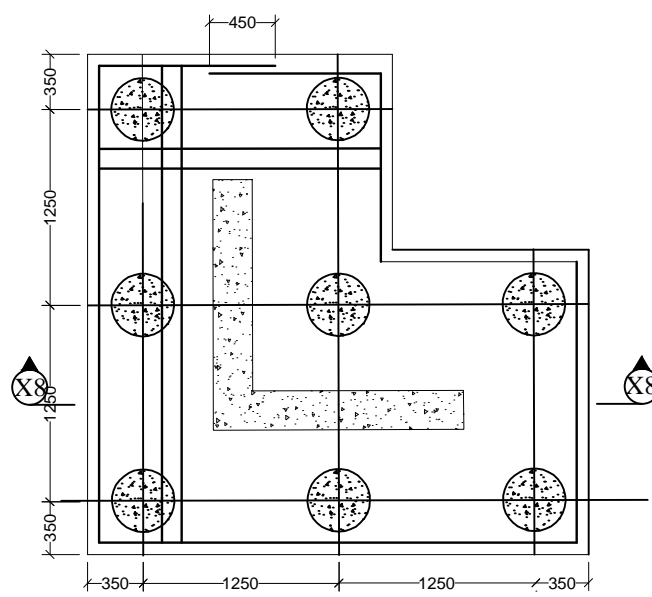
SECTION ' X4 - X4 '
P.C. - 4 (4 - PILE)



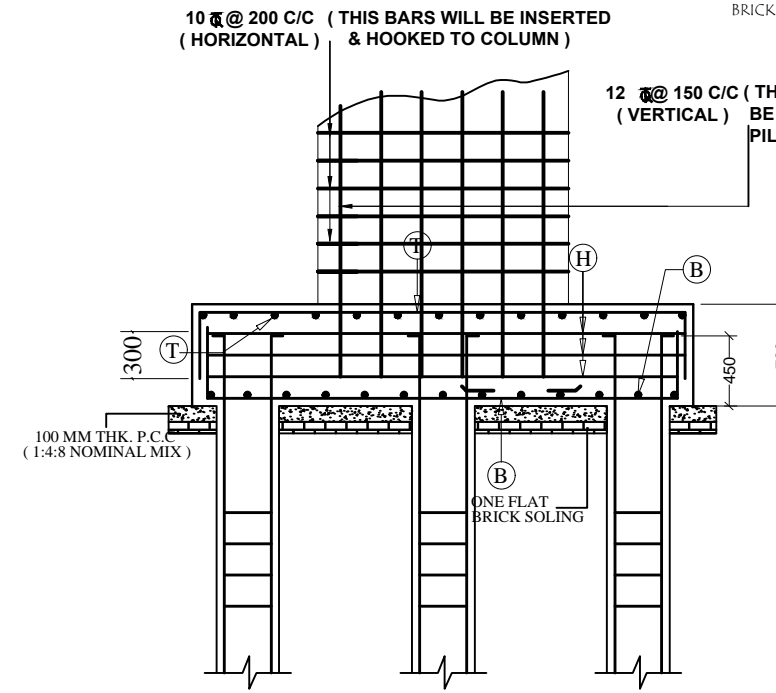
SECTION ' X4 - X4 '
P.C. - 5 (5 - PILE)



SECTION ' X9 - X9 '
P.C. - 9 (9 - PILE)



PLAN SHOWING BOTTOM MESH
P.C. - 8 (8 - PILE)
8 - 400 Ø



SECTION ' X8 - X8 '
P.C. - 8 (8 - PILE)

● THE DRAWING AND DESIGN IS THE PROPERTY OF THE ARCHITECT ANY COPYRIGHT VIOLATION WILL RESULT IN PROSECUTION

1	20-07-2018	ISSUED FOR EXECUTION	REV-00
NO.	DATE	REVISION 1	ENGR.
PROJECT	PROPOSED ADMINISTRATIVE BUILDING OF MAHAPURUSHA SRIMANTA SANKARADEVA VISWAVIDYALAYA AT ATUATIKA, RAIDONGIA, NAGAON, ASSAM.		
CLIENT:	MAHAPURUSHA SRIMANTA SANKARADEVA VISWAVIDYALAYA AT H. B. ROAD, KALONGPAR, NAGAON, PIN-782001, ASSAM, INDIA.		
DRAWING NAME:	PILE CAP DETAILS WITH SCHEDULE OF COLUMN REINFORCEMENT		
JOB TITLE			
ARCHITECT:	INTEGRATED DESIGN FORUM ARCHITECT, HRIDAI KR. NATH COUNCIL OF ARCHITECTURE REGD. NO. CA/2013/24079 301, RAJDHANI APARTMENT, R.G.B. ROAD, GANESHGURI CHARALL, GUWAHATI-781006, ASSAM. PHONE: +91 70024 02930 (Office) email id: hridai.dhpi@gmail.com	STRUCTURAL ENGINEER:	CIVILTECH SOLUTION Tiwari Building, House No. 4, Kacharibasti Near Dispur College, Ganeshguri 781006
SCALE	DRG. NO.	DRAWN	CHECKED
NTS	IDF/AD/020	OLID HUSSAIN	AR. HRIDAI KR. NATH