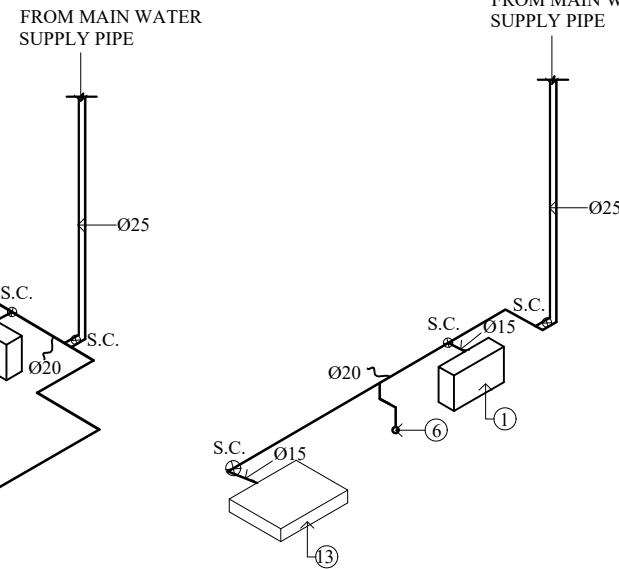


LAYOUT & DETAILS OF WATER SUPPLY PIPE LINE FOR COMMON TOILET BLOCK (GROUND FLOOR)



LAYOUT & DETAILS OF WATER SUPPLY PIPE LINE FOR TOILET ATTACHED TO HOD ROOM (GROUND FLOOR)

0	10-07-2022	ISSUED FOR CONSTRUCTION	
REV	DATE	REVISION PARTICULARS	SIGN

WORK:-

**PROPOSED ACADEMIC BUILDING,
BLOCK-II,**
AT
ATUATIKA, RAIDONGIA,
NAGAON, ASSAM
MAHAPURUSHA SRIMANTA SANKARADEVA
VISWAVIDYALAYA (CCD MSSV)
AT H. B. ROAD. KALONGPAR, NAGAON,
PIN-782001:ASSAM:INDIA

DRAWING:-

DETAILS OF WATER
SUPPLY PIPE LINE

PROJECT ARCHITECT:-

INTEGRATED DESIGN FORUM

ARCHITECT, HRIDAI KR. NATH
COUNCIL OF ARCHITECTURE REGD. NO. CA/2013/24079
15, 2ND FLOOR, ABOVE MIRA MUSICAL MART, RAJGARH MAIN RODA,
CHANDMARI, GUWAHATI, ASSAM.
PHONE : +91 78961 89205, +91 70024 02930
email id: hridai.dbpl@gmail.com

DRAWN	CHECKED	DATE	SCALE	DRG NO
RIJUMONI	AR. HRIDAI	10-07-2022	SCALE TO FIT	IDF/AD-23
				REV-00