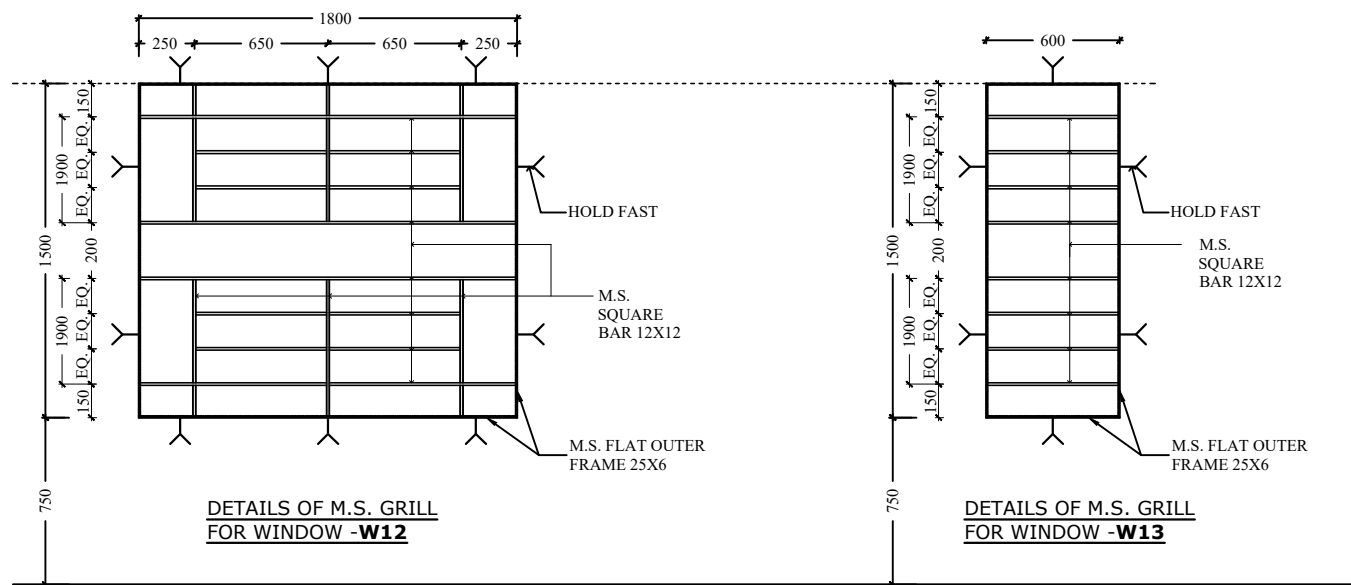


CROSS SECTION OF WINDOW

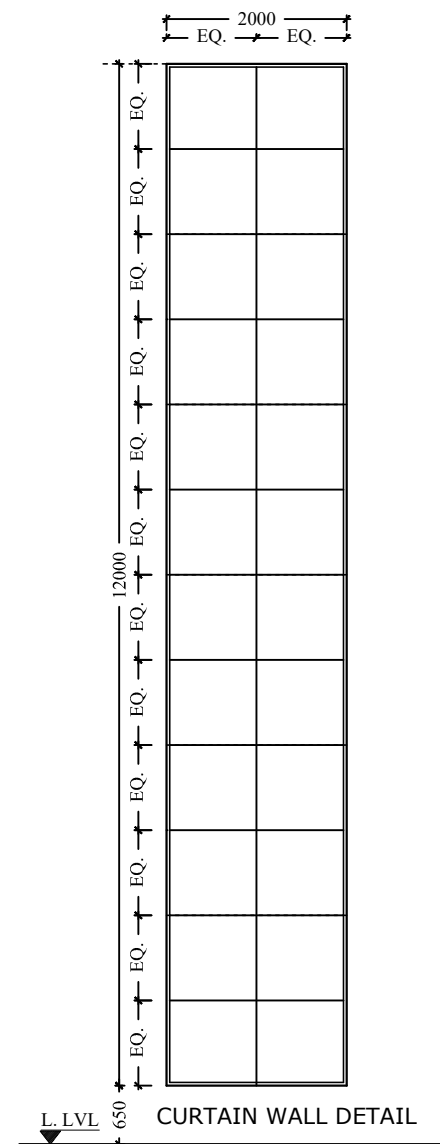
W12

W13

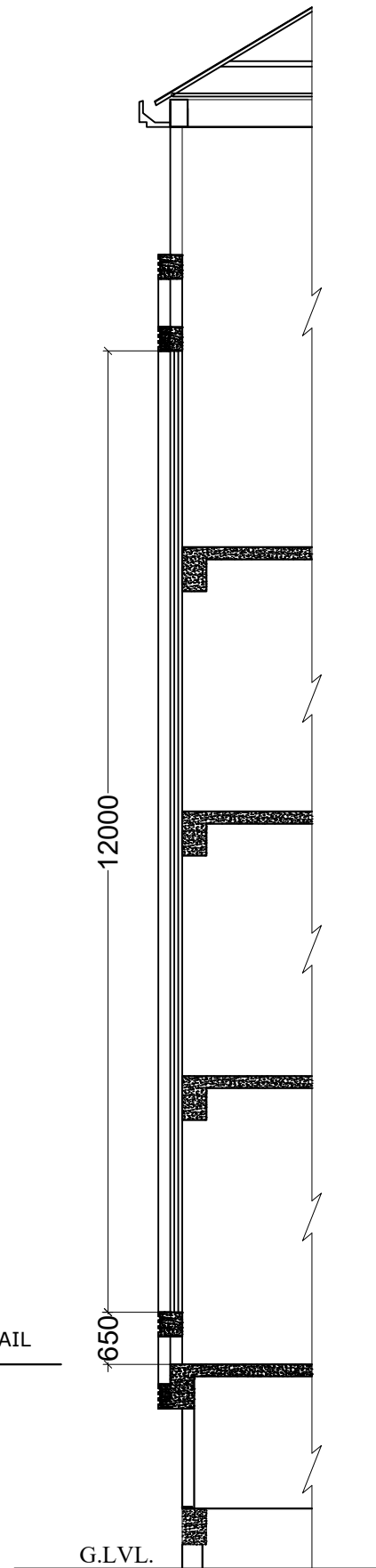


DETAILS OF M.S. GRILL FOR WINDOW -W12

DETAILS OF M.S. GRILL FOR WINDOW -W13



WS



CROSS SECTION OF CURTAIN WALL OF STAIRCASE

NOTE:-

1. ALL DIMENSIONS ARE IN MM UNLESS OTHERWISE MENTIONED.
2. THIS DRAWING SHALL BE READ IN CONJUNCTION WITH RELEVANT DETAIL STRUCTURAL, ARCHITECTURAL AND SERVICES DRAWING, ANY DISCREPANCY FOUND, SHALL BE BROUGHT TO THE NOTICE OF THE CONSULTANT ARCHITECT.

LEGEND:-

ALUMINIUM SECTIONS (HINDALCO MAKE)

1. 2 TRACK BOTTOM — SP 4700
2. 2 TRACK TOP — WS 4701
3. 3 TRACK BOTTOM — WS 4702
4. 3 TRACK TOP — WS 4703
5. SHUTTER SIDE — WS 1472
6. INTER LOCK — WS 1473
7. SHUTTER BOTTOM & TOP — WS 1471

REV	DATE	REVISION PARTICULARS	SIGN
0	10-07-2022	ISSUED FOR CONSTRUCTION	

WORK:-

PROPOSED ACADEMIC BUILDING, BLOCK-II,
 AT
 ATUATIKA, RAIDONGIA,
 NAGAON, ASSAM
 FOR
 MAHAPURUSHA SRIMANTA SANKARADEVA
 VISWAVIDYALAYA (MSSV)
 AT H. B. ROAD. KALONGPAR, NAGAON,
 PIN-782001:ASSAM:INDIA

DRAWING:-

DETAILS OF WINDOW & M.S.GRILL

PROJECT ARCHITECT:-

INTEGRATED DESIGN FORUM

ARCHITECT, HRIDAI KR. NATH
 COUNCIL OF ARCHITECTURE REGD. NO. CA/2013/24079
 15, 2ND FLOOR, ABOVE MIRA MUSICAL MART, RAJGARH MAIN RODA,
 CHANDMARI, GUWAHTI, ASSAM.
 PHONE : +91 78961 89205, +91 70024 02930
 email id: hridai.dbpl@gmail.com

DRAWN	CHECKED	DATE	SCALE	DRG NO
RJUMONI	AR. HRIDAI	10-07-2022	NOT TO SCALE	IDF/AD-14
				REV-00