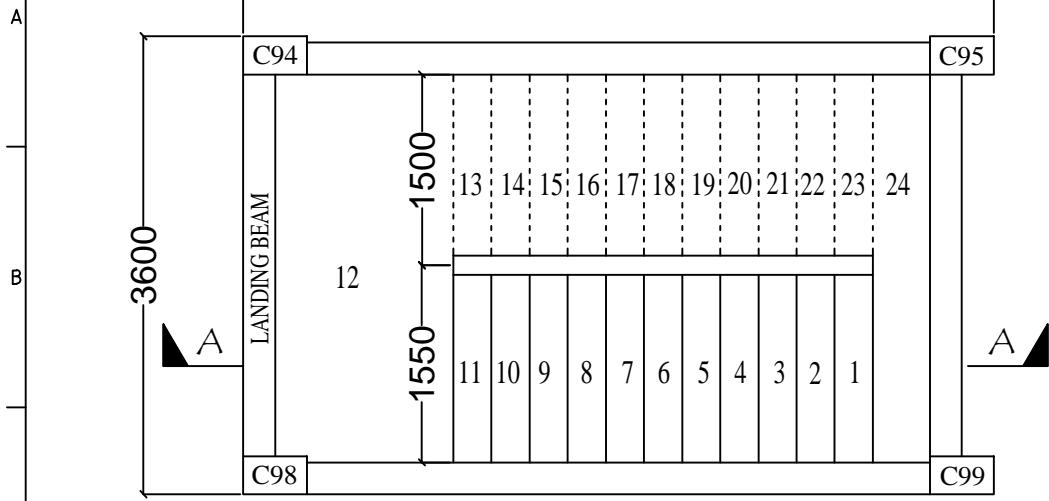
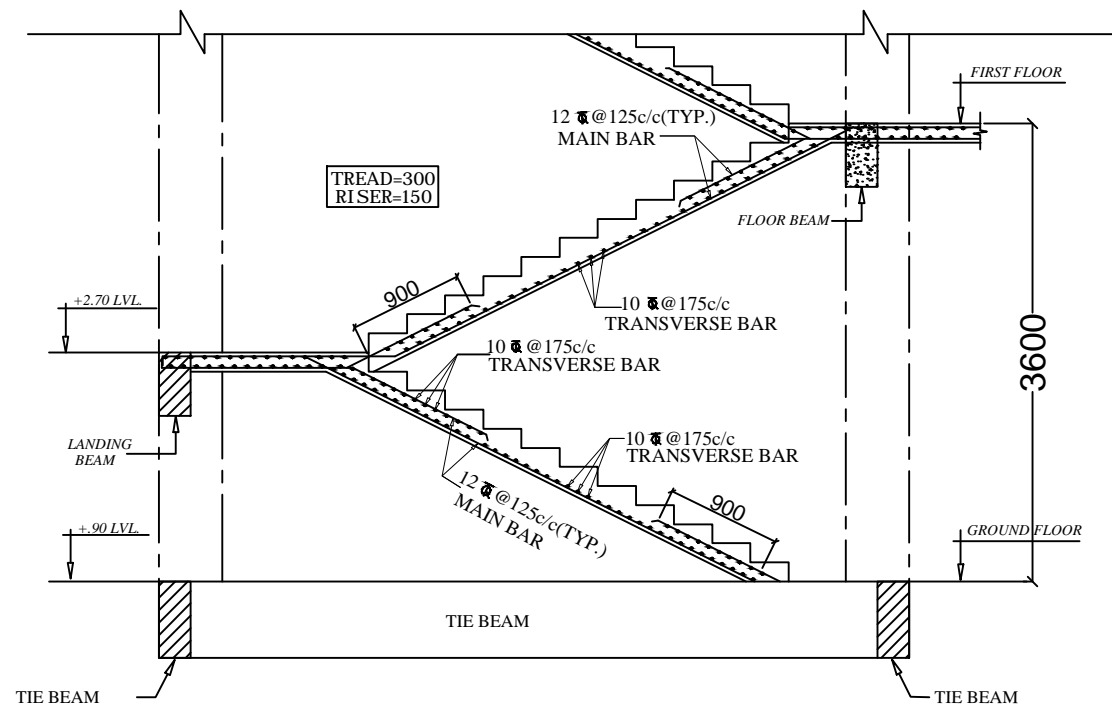


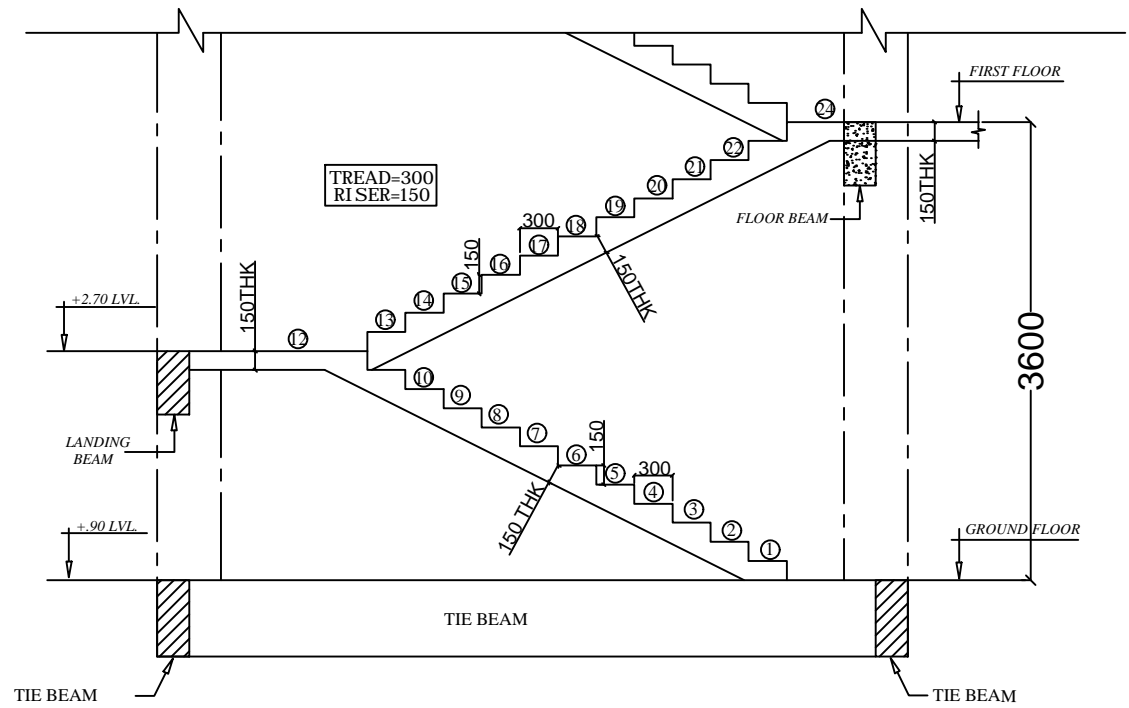
1 2 3 4 5 6 7 8 9 10 11 12 13 14 15



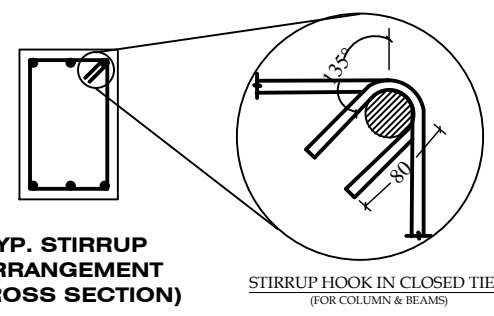
PLAN OF STAIRCASE



TYPICAL SECTION A-A THROUGH THE STAIRCASE



TYPICAL SECTION A-A THROUGH THE STAIRCASE



TYP. STIRRUP ARRANGEMENT (CROSS SECTION)

STIRRUP HOOK IN CLOSED TIES (FOR COLUMN & BEAMS)

● THE DRAWING AND DESIGN IS THE PROPERTY OF THE ARCHITECT ANY COPYRIGHT VIOLATION WILL RESULT IN PROSECUTION

1	20-07-2018	ISSUED FOR EXECUTION	REV-00
NO.	DATE	REVISION 1	ENGR.
PROJECT: PROPOSED ADMINISTRATIVE BUILDING OF MAHAPURUSA SRIMANTA SANKARADEVA VISWAVIDYALAYA AT ATUATIKA, RAIDONGIA, NAGAON, ASSAM.			
CLIENT: MAHAPURUSA SRIMANTA SANKARADEVA VISWAVIDYALAYA AT H. B. ROAD, KALONGPAR, NAGAON, PIN-782001, ASSAM, INDIA.			
DRAWING NAME: STAIRCASE DETAILS			
JOB TITLE			
ARCHITECT: INTZ-KATED DESIGN PRAKAM ARCHITECT, HRIDAI KR. NATH COUNCIL OF ARCHITECTURE REGD. NO. CA/2013/24079 301, RAJDHANI APARTMENT, R.G.B. ROAD, GANESHGURI CHARALI, GUWATI-781006, ASSAM. PHONE: +91 70024 02930 (Office) email id: hridai.dhp@gmail.com		STRUCTURAL ENGINEER: CIVILTECH SOLUTION Tiwari Building, House No. 4, Kacharibasti Near Dispur College, Ganeshguri 781006	
SCALE: NTS	DRG. NO.: IDF/AD/023	DRAWN: OLD HUSSAIN	CHECKED: AR. HRIDAI KR. NATH

1 2 3 4 5 6 7 8 9 10 11 12 13 14 15