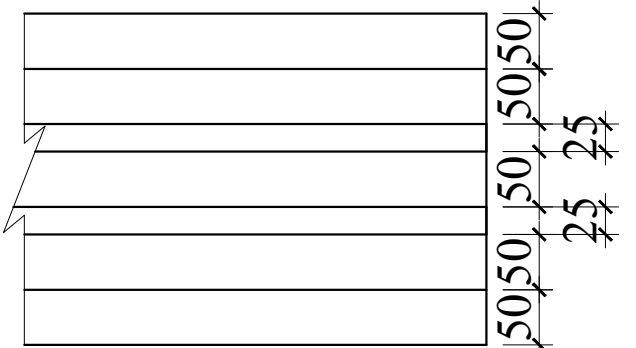
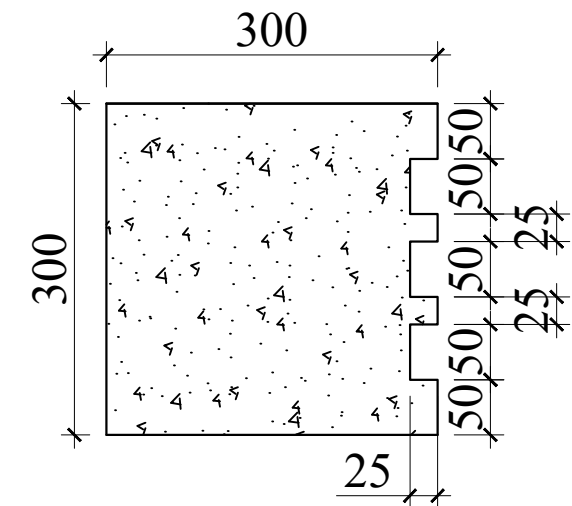
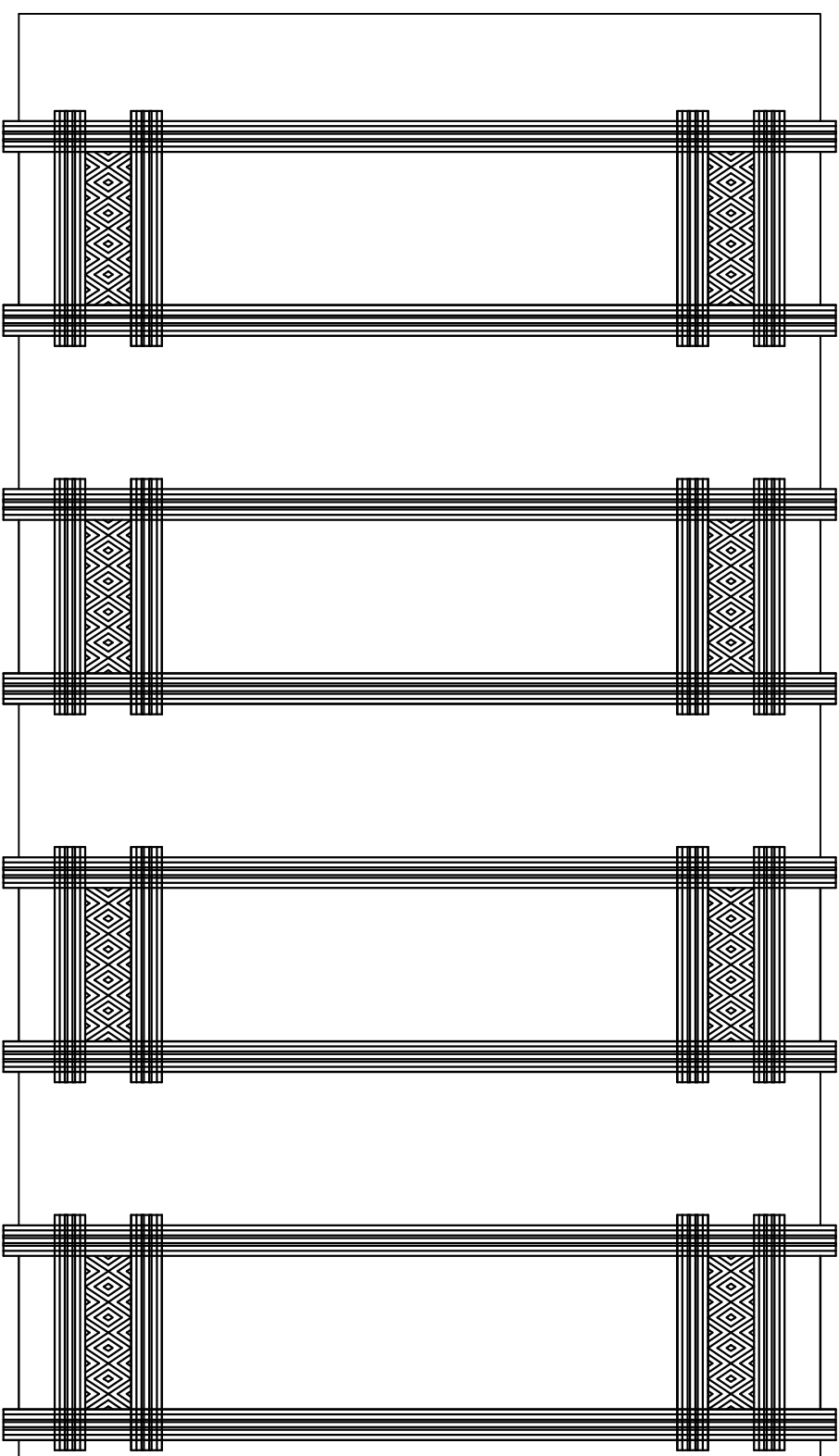
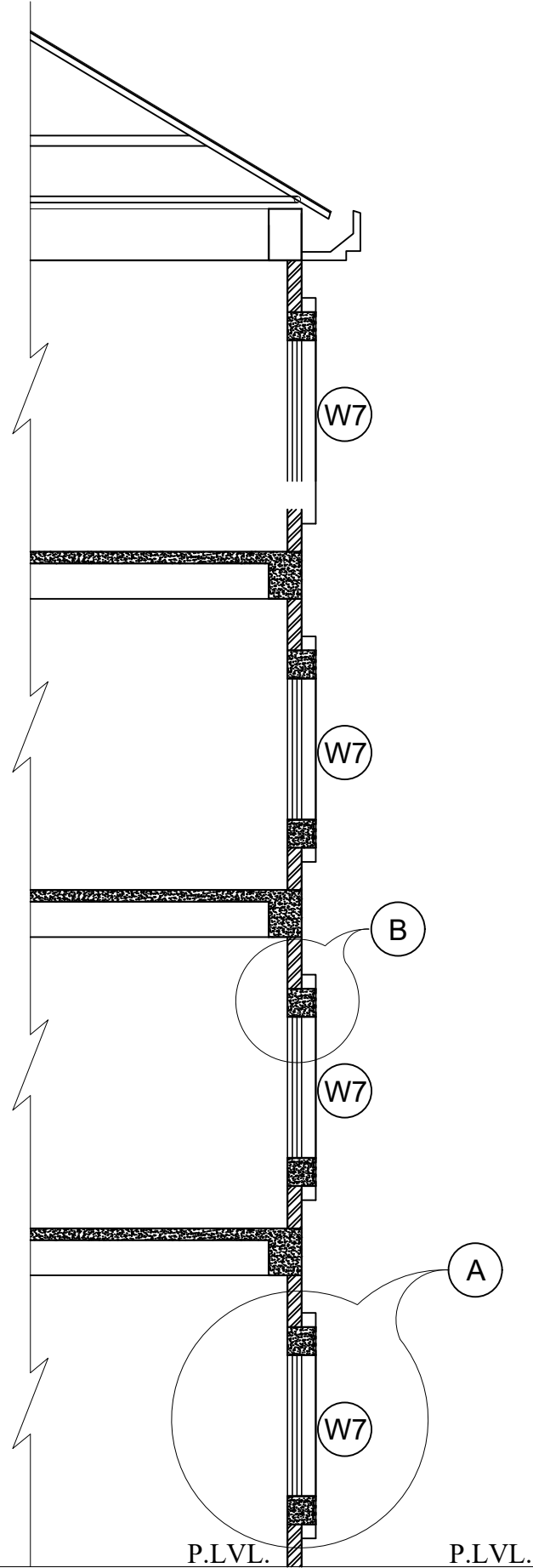


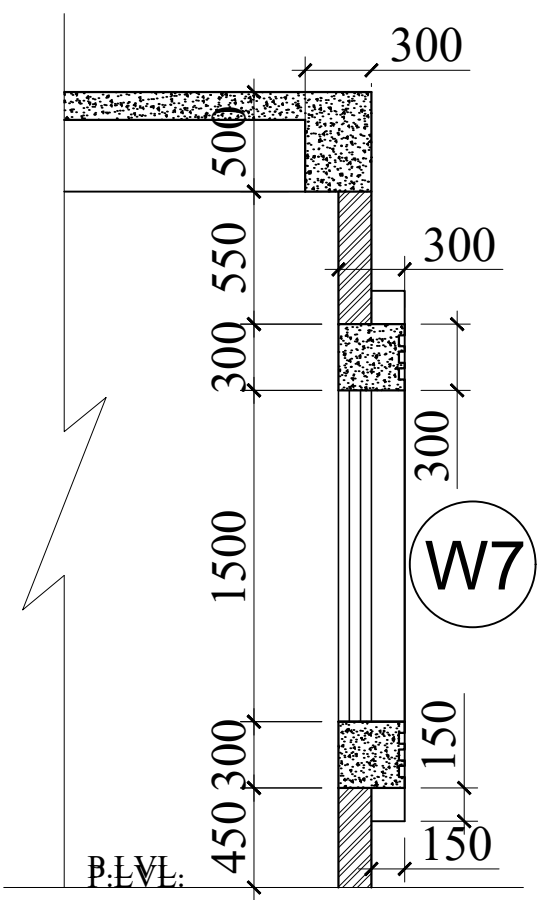
**NOTE:-**  
 1. ALL DIMENSIONS ARE IN MM UNLESS OTHERWISE MENTIONED.  
 2. THIS DRAWING SHALL BE READ IN CONJUNCTION WITH RELEVANT DETAIL ARCHITECTURAL AND SERVICES DRAWING, ANY DISCREPANCY FOUND, SHALL BE BROUGHT TO THE NOTICE OF THE CONSULTING ARCHITECT.



**SECTION**

**ELEVATION**

**DETAIL - B**  
**SCALE 1:1000**



**DETAIL - A**  
**SCALE 1:200**

**TYPICAL WINDOW DETAIL SECTION AND ELEVATION**  
**SCALE 1:100**

0	10-07-2022	ISSUED FOR CONSTRUCTION	
REV	DATE	REVISION PARTICULARS	SIGN

**WORK:-**  
**PROPOSED ACADEMIC BUILDING, BLOCK-II,**  
 AT  
 ATUATIKA, RAIDONGIA,  
 NAGAON, ASSAM  
 FOR  
 MAHAPURUSHA SRIMANTA SANKARADEVA  
 VISWAVIDYALAYA (CCD MSSV)  
 AT H. B. ROAD. KALONGPAR, NAGAON,  
 PIN-782001:ASSAM:INDIA

**DRAWING:-**  
 DETAILS OF WINDOW  
 & M.S.GRILL

**PROJECT ARCHITECT:-**  
*INTEGRATED DESIGN FORUM*

ARCHITECT, HRIDAI KR. NATH  
 COUNCIL OF ARCHITECTURE REGD. NO. CA/2013/24079  
 15, 2ND FLOOR, ABOVE MIRA MUSICAL MART, RAJGARH MAIN RODA,  
 CHANDMARI, GUWAHTI, ASSAM.  
 PHONE : +91 78961 89205, +91 70024 02930  
 email id: hridai.dbpl@gmail.com

DRAWN	CHECKED	DATE	SCALE	DRG NO
RJUMONI	AR. HRIDAI	10-07-2022	NOT TO SCALE	IDF/AD-18
				REV-00

● THE DRAWING AND DESIGN IS THE PROPERTY OF THE ARCHITECT ANY COPYRIGHT VIOLATION WILL RESULT IN PROSECUTION