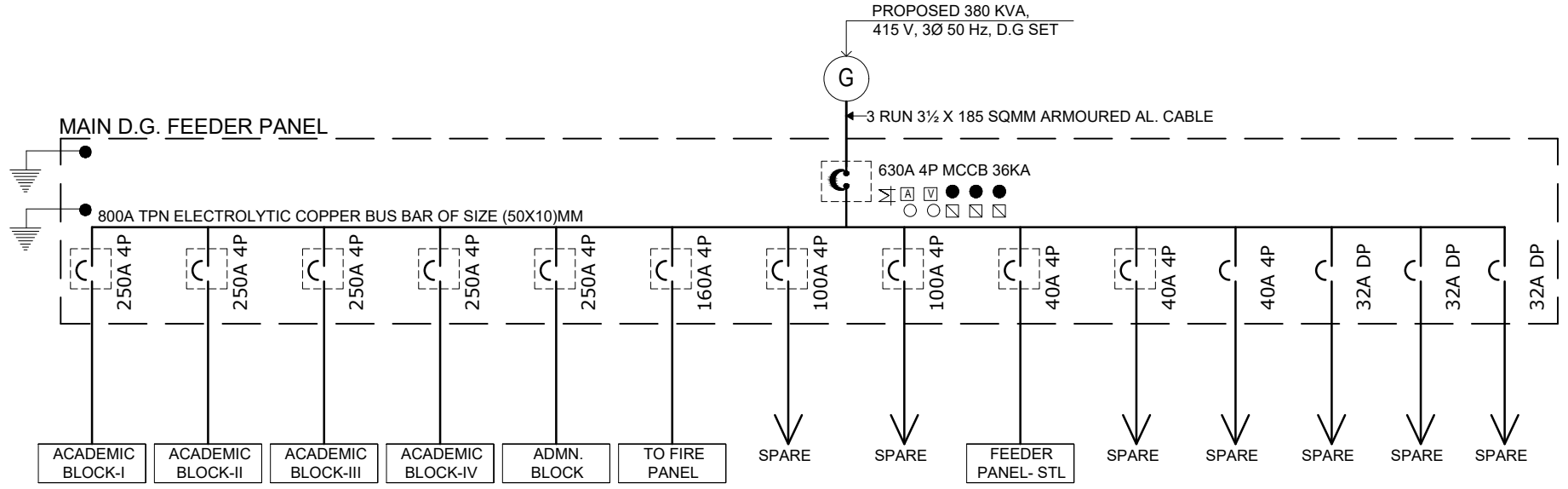
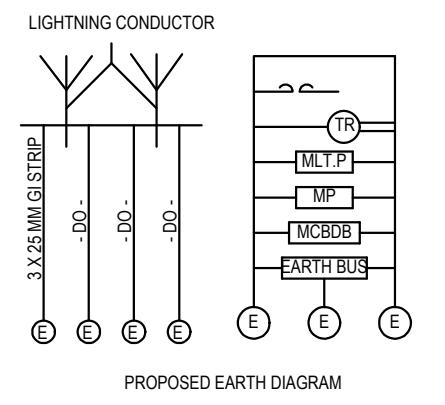
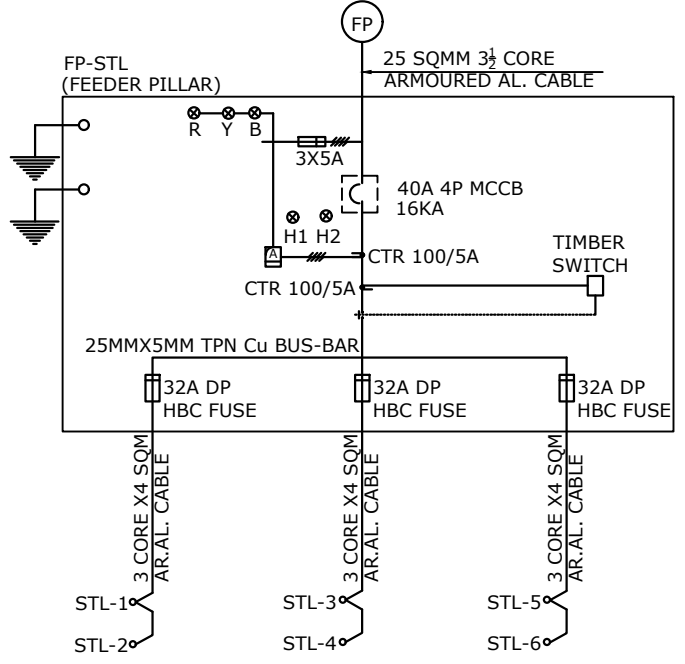
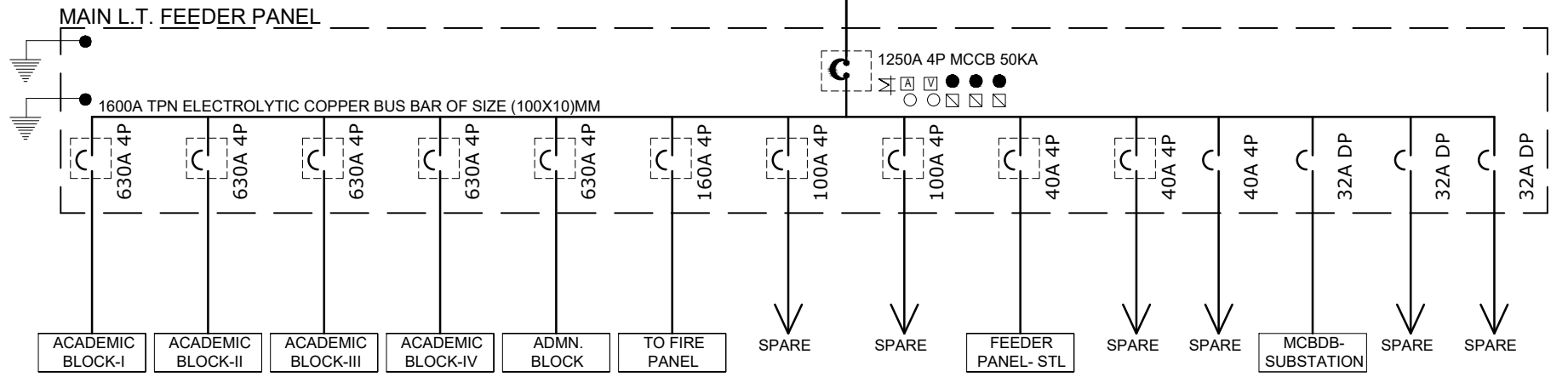


LEGEND	
	11 KV, GANG OPERATED AIR BREAKER (GOAB)
	11KV LIGHTNING ARRESTOR.
	11KV, DO FUSE ASSEMBLY
	11/0.415 KV, 750KVA, 50 Hz, 3Ø, OIL COOLED, ALLUMINIUM WOUND OPEN CAGED TRANSFORMER
	AMMETER
	VOLTMETER
	PHASE SELECTOR SWITCH
	INDICATING LAMPS
	SLIDING TYPE HBC FUSE UNITS
	CURRENT TRANSFORMER
	EARTH LEAD
	MINIATURE CIRCUIT BREAKER (MCB)
	MOULDED CASE CIRCUIT BREAKER (MCCB)
	L.T. PANEL / FEEDER PANEL
	EARTH WIRE
	PVC INSULATED AR. AL. CABLE
	STREET LIGHT (STL)



1	24-01-2020	ISSUED FOR EXECUTION	
NO.	DATE	REVISION 1	ENGR.
PROJECT: PROPOSED ACADEMIC BUILDING, PHASE-IV, BLOCK-II, OF MAHAPURUSHA SRIMANTA SANKARADEVA VISWAVIDYALAYA AT ATUATIKA, RAIDONGIA, NAGAON, ASSAM.			
CLIENT: MAHAPURUSHA SRIMANTA SANKARADEVA VISWAVIDYALAYA (MSSV) AT H. B. ROAD. KALONGPAR, NAGAON, PIN-782001:ASSAM:INDIA			
DRAWING CONTENT : MAIN SINGLE LINE DIAGRAM AND EARTHING DETAILS			
ARCHITECT: INTEGRATED DESIGN FORUM ARCHITECT, HRIDAI KR. NATH COUNCIL OF ARCHITECTURE REGD. NO.CA/2013/24079 15, 2ND FLOOR, ABOVE MIRA MUSICAL MART, RAJGARH MAIN RODA, CHANDMARI, GUWAHATI, ASSAM. PHONE : +91 78961 89205, +91 70024 02930 email id: hridai.dbpl@gmail.com		STRUCTURAL ENGINEER: CIVILTECH SOLUTION Tiwari Building, House No. 4, Kacharibasti Near Dispur College, Ganeshguri 781006 PHONE : +91 9954072961	
SCALE	DRG. NO.	JOB NO.	
NTS	GIA/DIA/002		