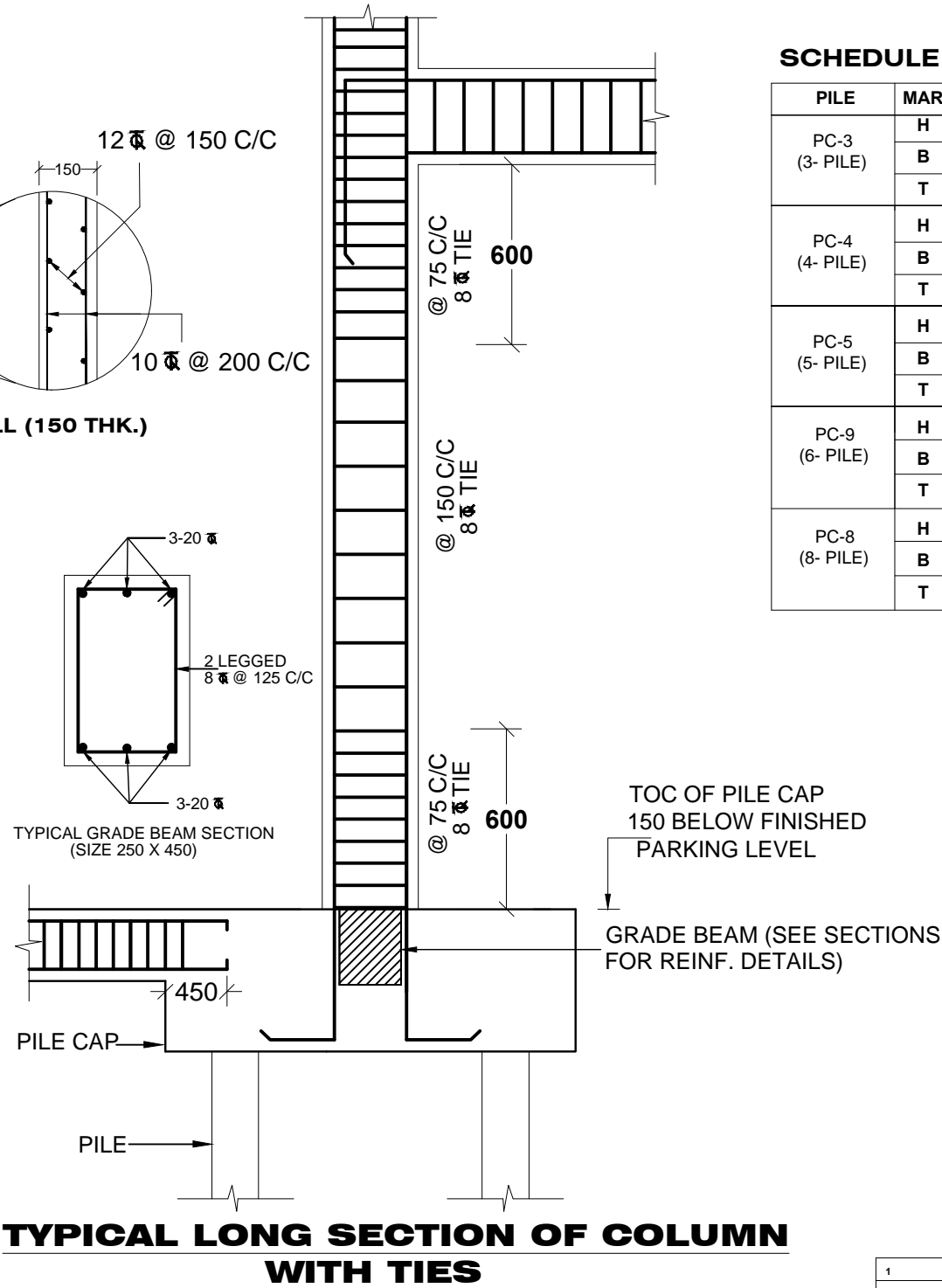
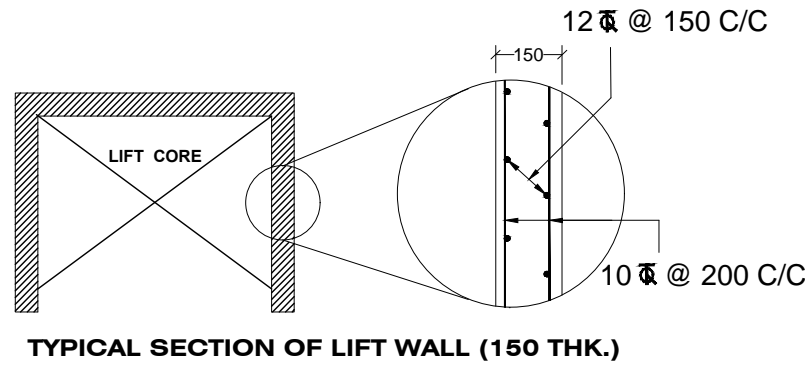


SCHEDULE OF COLUMN REINFORCEMENT

TYP. SECTION	SIZE	REINF. BAR	COLUMN NOS.
	300 X 500	4-20 + 8-16 8 TIE	C01,C02,C03,C04,C05,C06,C07,C08,C13,C14,C17,C18,C19,C20,C21,C22,C23,C26,C27,C28,C39,C40,C46,C47,C48,C50,C53,C58,C59,C60,C66,C67,C68,C71,C72,C76,C77,C78,C79,C84,C85,C86,C89,C93,C97,C98.
	300 X 500	8-20 + 4-16 8 TIE	C09,C10,C11,C12,C16,C24,C34,C38,C80,C81,C82,C96,C99,C100.
	400D	4-20 + 8-16 8 TIE	C15,C29,C30,C31,C32,C33,C42,C43,C49,C52,C55,C61,C62,C64,C75,C101,CA,CB,CC
	300 X 500	12-20 8 TIE	C25,C35,C36,C37,C41,C44,C45,C51,C54,C57,C65,C69,C70,C90,C92,C94.
	300 X 500	10-16 8 TIE	C26A,C39A.
	400D	8-16 8 TIE	C48A,97A.
	400D	14-20 8 TIE	C56,C63,C74.
	300 X 500	14-20 8 TIE	C73,C87,C88,C95,C102,C103.



SCHEDULE OF PILE CAP REINFORCEMENT

PILE	MARKED	DESCRIPTION	REMARKS
PC-3 (3- PILE)	H	3-12	HOOP REINF.
	B	16 @ 115 c/c	BOTTOM MESH
	T	12 @ 200 c/c	TOP MESH
PC-4 (4- PILE)	H	3-12	HOOP REINF.
	B	16 @ 115 c/c	BOTTOM MESH
	T	12 @ 200 c/c	TOP MESH
PC-5 (5- PILE)	H	3-12	HOOP REINF.
	B	20 @ 125 c/c	BOTTOM MESH
	T	12 @ 200 c/c	TOP MESH
PC-9 (6- PILE)	H	3-16	HOOP REINF.
	B	20 @ 115 c/c	BOTTOM MESH
	T	12 @ 175 c/c	TOP MESH
PC-8 (8- PILE)	H	3-16	HOOP REINF.
	B	20 @ 125 c/c	BOTTOM MESH
	T	12 @ 175 c/c	TOP MESH

THE DRAWING AND DESIGN IS THE PROPERTY OF THE ARCHITECT ANY COPYRIGHT VIOLATION WILL RESULT IN PROSECUTION

NO.	DATE	REVISION	ENGR.
1	20-07-2018	ISSUED FOR EXECUTION	REV-00
<p>PROJECT: PROPOSED ADMINISTRATIVE BUILDING OF MAHAPURUSHA SRIMANTA SANKARADEVA VISWAVIDYALAYA AT ATUATIKA, RAIDONGIA, NAGAON, ASSAM.</p> <p>CLIENT: MAHAPURUSHA SRIMANTA SANKARADEVA VISWAVIDYALAYA AT H. B. ROAD, KALONGPAR, NAGAON, PIN-782001:ASSAM:INDIA.</p> <p>DRAWING NAME: PILE CAP DETAILS WITH SCHEDULE OF COLUMN REINFORCEMENT</p> <p>JOB TITLE: CAP DETAIL AND SHEDULE</p>			
<p>ARCHITECT: INTEGRATED DESIGN FORUM ARCHITECT, HRIDAI KR. NATH COUNCIL OF ARCHITECTURE REGD. NO. CA/2013/24079 301, RAIDHANI APARTMENT, R.G.B. ROAD, GANESHGURI CHARALLI, GUWAHATI-781006, ASSAM. PHONE: +91 70024 02930 (Office) email id: hridai.dipl@gmail.com</p>		<p>STRUCTURAL ENGINEER: CIVILTECH SOLUTION Tiwari Building, House No. 4, Kacharibasti Near Dispur College, Ganeshguri 781006</p>	
SCALE	DRG. NO.	DRAWN	CHECKED
NTS	IDF/AD/019	OLID HUSSAIN	AR. HRIDAI KR. NATH